



RISO ME 9350

Streamline your work with the benefits of two-colour printing.



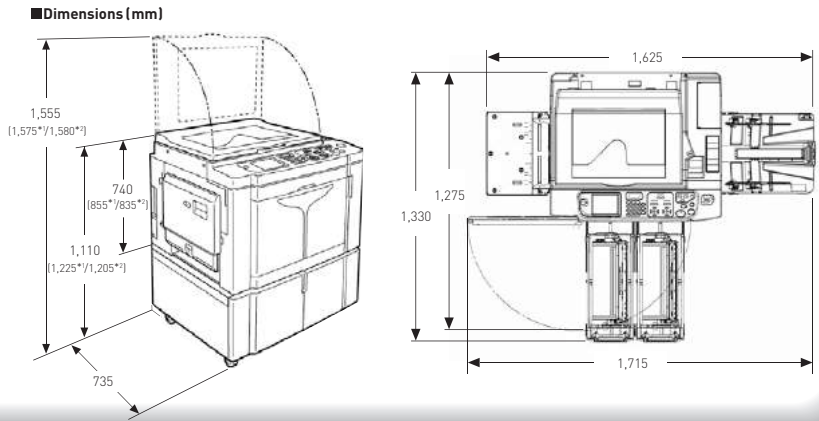
1 OR **2**
COLOUR
PRINTING

RISO ME 9350

Specifications are subject to change without notice. Details may vary depending on the region.

- *1 When installed with RISO Auto document feeder DX-1.
- *2 When installed with RISO Auto document feeder AF-VI:II.

Note: All dimensions are when installed with RISO stand D type (III).



RISO ME9350 Specifications


Master-making/printing methods	High-speed digital master-making/full automatic stencil printing	
Original Type	Book (10 kg [22 lb] or less), sheet	
Resolution	Scanning resolution:	600 dpi × 600 dpi
	Printing image resolution:	600 dpi × 600 dpi
Original Size (min./max.)	When using the Glass Platen:	50 mm × 90 mm (1 ³¹ / ₃₂ " × 3 ¹⁷ / ₃₂ " - 310 mm × 432 mm (12 ⁷ / ₃₂ " × 17")
	When using the Auto Document Feeder AF-VI:II (option):	100 mm × 148 mm (3 ¹⁵ / ₁₆ " × 5 ¹³ / ₁₆ " - 310 mm × 432 mm (12 ⁷ / ₃₂ " × 17")
	When using the Auto Document Feeder DX-1 (option):	105 mm × 128 mm (4 ¹ / ₈ " × 5 ¹ / ₃₂ " - 297 mm × 432 mm (11 ¹ / ₁₆ " × 17")
Original Paper Weight	When using the Auto Document Feeder AF-VI:II (option):	50 gsm (13-lb bond) - 128 gsm (34-lb bond)
	When using the Auto Document Feeder DX-1 (option):	Single-sided feeding: 40 gsm (11-lb bond) - 128 gsm (34-lb bond) Duplex-sided feeding: 52 gsm (14-lb bond) - 105 gsm (28-lb bond)
Printing Paper Size (min./max.)	Minimum size	
	- Dual-Color Print	182 mm × 257 mm (7 ⁵ / ₃₂ " × 10 ¹ / ₈ "
	- Mono-Color Print (with Print Drum 1)	100 mm × 148 mm (3 ¹⁵ / ₁₆ " × 5 ¹³ / ₁₆ "
	- Mono-Color Print (with Print Drum 2)	182 mm × 257 mm (7 ⁵ / ₃₂ " × 10 ¹ / ₈ "
	Maximum size	320 mm × 432 mm (12 ¹⁹ / ₃₂ " × 17")*
	*Paper up to 555 mm (21 ⁷ / ₃₂ " from top to bottom may be used in the Extended Paper mode.	
Paper Supply Capacity	Approx. 1,000 sheets (80 gsm [21-lb bond]) /Maximum Height 110 mm (4 ¹¹ / ₃₂ "	
Paper Receiving Capacity	Approx. 1,000 sheets (80 gsm [21-lb bond]) /Maximum Height 110 mm (4 ¹¹ / ₃₂ "	
Printing Paper Weight	46 gsm (12-lb bond) - 210 gsm (110-lb index)	
Image Processing Mode	Line, Photo (Standard/Portrait/Group), Duo (Line/Photo/Shadow off), Pencil (Darker/Lighter)	
Master-making Time (for A4/short edge feed/ 100% reproduction ratio)	Approx. 57 seconds (for Dual-Color print) Approx. 24 seconds (for Mono-Color print (Drum 1)) Approx. 34 seconds (for Mono-Color print (Drum 2, when Print Drum 1 is not set))	
Printing Area (max.)	291 mm × 413 mm (11 ¹⁵ / ₃₂ " × 16 ¹ / ₄ "	
Print Reproduction Ratio	Zoom: 50 - 200% Standard reproduction ratio (enlargement): 163%, 141%, 122%, 116% Standard reproduction ratio (reduction): 87%, 82%, 71%, 61% Margin+: 90 - 99%	
Print Speed	60 - 120 sheets per minute (Control panel: five steps variable) /150 sheets per minute (Touch panel: "High Speed")	
Print Position Adjustment	Vertical: ±15 mm (± ¹⁹ / ₃₂ " Horizontal: ±10 mm (± ²⁵ / ₆₄ "	
Ink Supply	Fully automatic (1,000 ml per cartridge)	
Master Supply/Disposal	Fully automatic (approx. 220 sheets per roll)	
Master Disposal Capacity	80 sheets per box	
User Interface	LCD Touch Panel with Progress Arrow indicators	
Operating Noise	Max. 66 dB(A) (when printing 100 sheets per minute)	
Power Source	ME9350E: AC 220-240 V, 50-60 Hz <3.0 A> / ME9350A: AC 100-240 V, 50-60 Hz <7.3-3.0 A>	
Power Consumption (without option)	Max. 600 W (100 V) / 580 W (220 V) At Ready: approx. 53 W (100 V, 220 V) At Sleep: approx. 2.0 W (100 V, 220 V)	
Functions	Print Mode (Dual-color/Mono-color), Auto Document Feeder (optional), Direct Print, Scanning Contrast (Manual/Auto), Paper Size detection, Auto-Process, Dot Process (4 types), Contrast Adjustment, Tone Curve, Ink Saving, Multi-Up Print (2 up/Single-Original/ Multiple-Original/Multi-Up Tickets), Layout, Book Shadow, Top Margin, Binding Margin, Max. Scan, Easy 2-Color, Preview, OneSide MasterMake, Print Speed Adjustment, Print Density Adjustment, Print Position Adjustment, 1=2 Alignment, Proof, Double Feed Check, Interval Printing, Jump Wing Control, Special Paper Control, User Management, Programmed Printing (3 types), Job Memory, Confidential mode, Reservation, Idling, Renew Page, Output Reversal, ADF Semi-Auto (with optional ADF unit installed), Scanning Side (with optional ADF DX-1), Rotate, ID Counter Report, My Direct Access, Admin. Mode, Auto 90° Rotation, SW. Color, Energy Saving Mode (Auto Sleep, Auto Power-OFF), Editor, Direct Access Entry, Selections Entry, Custom Paper Entry, Protect, Scan Mode (with optional memory card or USB Flash Drive), Storage memory (with optional memory card), USB Job List (with USB Flash Drive), Overlay (with optional memory card or USB Flash Drive), Stamp, Management of Consumables, RISO i Quality System	
Dimensions	When in use: 1,625 mm (W) × 735 mm (D) × 740 mm (H) (6 ³ / ₃₂ " [W] × 28 ¹⁵ / ₁₆ " [D] × 29 ¹ / ₈ " [H]) When in storage: 1,005 mm (W) × 735 mm (D) × 740 mm (H) (39 ⁷ / ₁₆ " [W] × 28 ¹⁵ / ₁₆ " [D] × 29 ¹ / ₈ " [H])	
Required Space*1	1,715 mm (W) × 1,330 mm (D) × 1,555 mm (H) (67 ¹⁷ / ₃₂ " [W] × 52 ⁹ / ₈ " [D] × 61 ⁷ / ₃₂ " [H])	
Weight*2	Approx. 170 kg (375 lb)	
Safety Standard	IEC-60950-1 compliant, Indoor, pollution degree 2**3, At altitudes of 2,000 m or lower	

Note: • Please note that due to improvements and changes to the machine, some images and explanations in this manual may not correspond to your machine.
• The specifications are subject to change without prior notice.

*1 The height includes the height of the RISO stand D type (III).

*2 The weight does not include Ink and Master.

*3 The pollution degree of the usage environment due to dirt and dust in the air. Degree "2" corresponds to general indoor environment.

RISO logo, RISO i Quality System™ and  are either registered trademarks or trademarks of RISO KAGAKU CORPORATION. Adobe and PostScript are either registered trademarks or trademarks of Adobe Systems Incorporated in the United States and/or other countries. Mac OS is a trademark of Apple, Inc.



RISO KAGAKU CORPORATION
http://www.riso.com/

COPYLANDIA
Office Systems Corporation

Your Total Document Solutions Provider

CALL 535-8-535

www.copylandia.com

718 Bumatay Street, Mandaluyong City 1550

With the widest network of branches to serve you

MANILA - Head Office (02) 535-8-535 ANGELES (045) 887-2499 BACOLOD (034) 433-2559 BAGUIO (074) 446-5356
BUKIDNON (088) 221-2700 BUTUAN (085) 343-5321 CABANATUAN (044) 600-0377 CALAMBA (049) 545-7384
CAGAYAN DE ORO (088) 852-4272 CEBU (032) 232-4520 DAGUPAN (075) 515-3306 DAVAO (082) 224-0793 DIPLOG (065) 212-1400
DUMAGUETE (035) 225-4759 GENERAL SANTOS (083) 553-9057 ILAGAN (063) 221-3710 ILOILO (033) 337-7993 IMUS (046) 472-2875
LA UNION (072) 607-6815 LEGAZPI (052) 480-7476 LIPA (043) 757-0235 NAGA (054) 881-6877 PUERTO PRINCESA (048) 434-8610 ROXAS (036) 621-5896
TACLOBAN (053) 321-7610 TAGBILARAN (038) 311-2396 TUGUEGARAO (078) 846-2762 VIGAN (077) 674-0714 ZAMBOANGA (062) 911-2446