



RISO *SE* 9380

Streamline your work with revolutionary print speed.



1
COLOUR
PRINTING

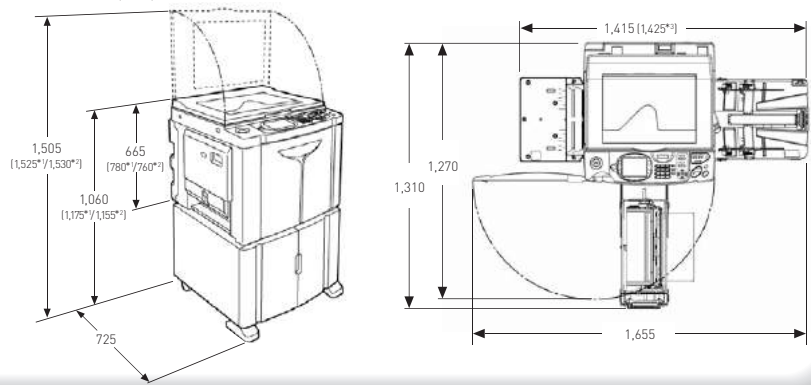
RISO SE 9380

Specifications are subject to change without notice. Details may vary depending on the region.

- *1 When installed with RISO Auto document feeder DX-1.
- *2 When installed with RISO Auto document feeder AF-VI:II.
- *3 When installed with RISO Auto-control stacking tray.

Note: All dimensions are when installed with RZ stand D type.

■Dimensions (mm)



RISO SE9380 Specifications

Master-making/printing methods	High-speed digital master-making/full automatic stencil printing
Original Type	Book (10 kg (22 lb) or less), sheet
Resolution	Scanning resolution: 600 dpi × 600 dpi Printing image resolution: 600 dpi × 600 dpi
Original Size (min./max.)	When using the Glass Platen: 50 mm × 90 mm (1 ³¹ / ₃₂ " × 3 ¹⁷ / ₃₂ ") - 310 mm × 432 mm (12 ⁷ / ₃₂ " × 17") When using the Auto Document Feeder AF-VI:II (option): 100 mm × 148 mm (3 ¹⁵ / ₁₆ " × 5 ¹³ / ₁₆ ") - 310 mm × 432 mm (12 ⁷ / ₃₂ " × 17") When using the Auto Document Feeder DX-1 (option): 105 mm × 128 mm (4 ¹ / ₈ " × 5 ¹ / ₃₂ ") - 297 mm × 432 mm (11 ¹¹ / ₁₆ " × 17")
Original Paper Weight	When using the Auto Document Feeder AF-VI:II (option): 50 gsm (13-lb bond) - 128 gsm (34-lb bond) When using the Auto Document Feeder DX-1 (option): Single-sided feeding: 40 gsm (11-lb bond) - 128 gsm (34-lb bond) Duplex-sided feeding: 52 gsm (14-lb bond) - 105 gsm (28-lb bond)
Printing Paper Size (min./max.)	100 mm × 148 mm (3 ¹⁵ / ₁₆ " × 5 ¹³ / ₁₆ ") - 320 mm × 432 mm (12 ¹⁹ / ₃₂ " × 17")* *Paper up to 555 mm (21 ⁷ / ₃₂ ") from top to bottom may be used in the Extended Paper mode.
Paper Supply Capacity	Approx. 1,000 sheets (80 gsm (21-lb bond)) /Maximum Height 110 mm (4 ¹¹ / ₃₂ ")
Paper Receiving Capacity	Approx. 1,000 sheets (80 gsm (21-lb bond)) /Maximum Height 110 mm (4 ¹¹ / ₃₂ ")
Printing Paper Weight	46 gsm (12-lb bond) - 210 gsm (110-lb index)
Image Processing mode	Line, Photo (Standard/Portrait/Group), Duo (Line/Photo/Shadow off), Pencil (Darker/Lighter)
Master-making Time	Approx. 20 seconds (for A4/short edge feed/100% reproduction ratio) Approx. 16 seconds (for A4/long edge feed/100% reproduction ratio)
Printing Area (max.)	291 mm × 413 mm (11 ¹⁵ / ₃₂ " × 16 ¹ / ₄ ")
Print Reproduction Ratio	Zoom: 50 - 200% Standard reproduction ratio (enlargement): 163%, 141%, 122%, 116% Standard reproduction ratio (reduction): 87%, 82%, 71%, 61% Margin+: 90 - 99 %
Print Speed	60 - 130 sheets per minute (control panel: five steps variable) 180 - 185 sheets per minute (Touch panel: "High Speed")
Print Position Adjustment	Vertical: ±15 mm (± ¹⁹ / ₃₂ ") Horizontal: ±10 mm (± ²⁵ / ₆₄ ")
Ink Supply	Fully automatic (1,000 ml per cartridge)
Master Supply/Disposal	Fully automatic (approx. 220 sheets per roll)
Master Disposal Capacity	100 sheets
User Interface	LCD Touch Panel with Progress Arrow indicators
Operating Noise	Max. 66 dB(A) (when printing 100 sheets per minute)
Power Source	SE9380A: AC 100-240 V, 50-60 Hz <5.0-2.2 A> SE9380E: AC 220-240 V, 50-60 Hz <2.2 A>
Power Consumption (without option)	Max. 400 W (100 V)/380 W (220 V) At Ready: approx. 43 W (100 V)/43 W (220 V) At Sleep: approx. 2.0 W (100 V)/3.0 W (220 V)
Functions	Idling, Print Speed Adjustment, Silent mode, Confidential mode, Auto-Process, Job Memory, Ink Saving, Layout, Binding Margin, Reservation, Output Reversal, Proof, Double Feed Check, User Management, Management of Consumables, Contrast Adjustment, Print Density Adjustment, Print Position Adjustment, Tone Curve, Jump Wing Control, Top Margin, Paper Size detection, Renew Page, Dot Process (4 types), Preview, Rotate, Scanning Side (with optional ADF DX-1), Admin. Mode, Interval Printing, Max. Scan, Special Paper Control, Auto 90° Rotation, Protect, Paper Size Selection, Overlay (with optional memory card or USB Flash Drive), Direct Print, Storage memory (with optional memory card), Scan Mode (with optional memory card or USB Flash Drive), My Direct Access, ID Counter Report, USB Job List (with USB Flash Drive), Custom Paper Entry, Programmed Printing (2 types), Direct Access Entry, Selections Entry, Book Shadow, RISO i Quality System, Scanning Contrast (Manual/Auto), Multi-Up Print (2 up/Single-Original/Multiple-Original/Multi-Up Tickets), ADF Semi-Auto (with optional ADF unit installed), Energy Saving Mode (Auto Sleep, Auto Power-OFF), ECO Mode
Dimensions	When in use: 1,415 mm(W) × 705 mm(D) × 665 mm(H) [55 ²³ / ₃₂ "(W) × 27 ³ / ₄ "(D) × 26 ³ / ₁₆ "(H)] When in storage: 780 mm(W) × 705 mm(D) × 665 mm(H) [30 ²³ / ₃₂ "(W) × 27 ³ / ₄ "(D) × 26 ³ / ₁₆ "(H)]
Required Space*1	1,655 mm (W) x 1,310 mm (D) x 1,505 mm (H) [65 ⁵ / ₃₂ " (W) x 51 ⁹ / ₁₆ " (D) x 59 ¹ / ₄ " (H)]
Weight*2	Approx. 115 kg (254 lb)
Safety Standard	IEC-60950-1 compliant, Indoor, pollution degree 2*3, At altitudes of 2,000 m or lower


Note: • Please note that due to improvements and changes to the machine, some images and explanations in this manual may not correspond to your machine.

• The specifications are subject to change without prior notice.

*1 The height includes the height of the RZ stand D type.

*2 The weight does not include Ink and Master.

*3 The pollution degree of the usage environment due to dirt and dust in the air. Degree "2" corresponds to general indoor environment.

RISO logo, RISO i Quality System™ and  are either registered trademarks or trademarks of RISO KAGAKU CORPORATION. Adobe and PostScript are either registered trademarks or trademarks of Adobe Systems Incorporated in the United States and/or other countries. Mac OS is a trademark of Apple, Inc. Windows is either a registered trademark or trademark of Microsoft Corporation in the United States and/or other countries.



RISO KAGAKU CORPORATION
http://www.riso.com/

COPYLANDIA
Office Systems Corporation

Your Total Document Solutions Provider

CALL 535-8-535

www.copylandia.com

718 Bumatay Street, Mandaluyong City 1550

With the widest network of branches to serve you

MANILA - Head Office (02) 535-8-535 ANGELES (045) 887-2499 BACOLOD (034) 433-2559 BAGUIO (074) 446-5356
BUKIDNON (088) 221-2760 BUTUAN (085) 342-5321 CABANATUAN (044) 600-0377 CALAMBA (049) 545-7284
CAGAYAN DE ORO (088) 857-4272 CEBU (032) 252-4520 DAVAO (082) 224-0793 DZUPLOG (066) 212-1400
DUBAIGUETE (035) 225-4759 GENERAL SANTOS (083) 555-9057 ILAGAN (085) 221-3710 LOLOLO (033) 337-9993 MBUS (046) 473-2875
LA UNION (073) 697-0815 LEGAZPI (052) 480-7496 LIPA (043) 257-0235 NAGA (054) 881-4877 PUERTO PRINCESA (048) 434-6610 ROSAS (036) 621-5896
TACLOBAN (053) 321-7610 TAGBILARAN (038) 311-2396 TUGUEGARAO (078) 846-2762 VIGAN (077) 674-0714 ZAMBOANGA (062) 911-2446